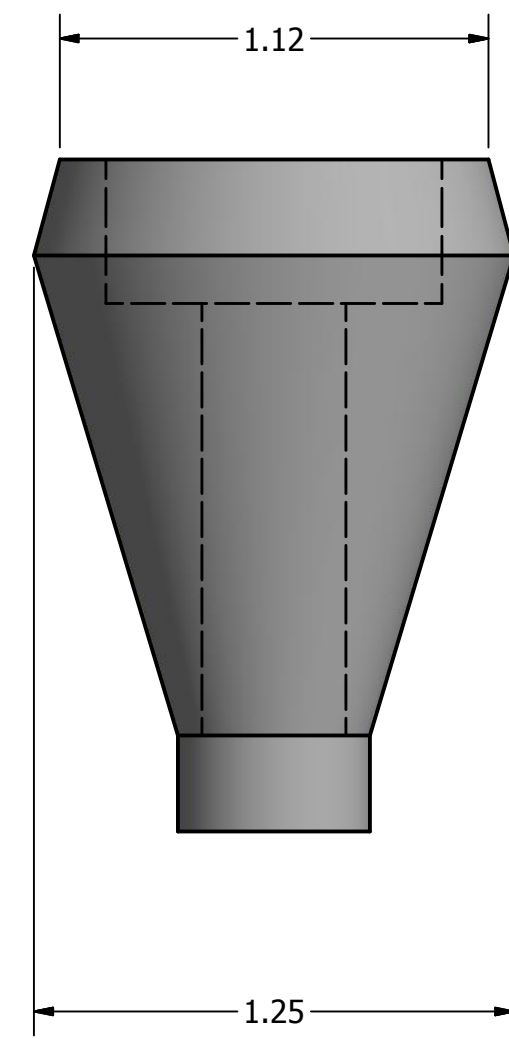


SECTION A-A
SCALE 2 : 1



DRAWN 48775	12/5/2014	TITLE		
CHECKED		Smoke Stack		
QA		SIZE	DWG NO	REV
MFG		C	Smoke Stack	
APPROVED		SCALE	SHEET 1 OF 1	